

Kawasaki Motors Corp., U.S.A.

Irvine, California 92618-2084

K99994-338A CONCOURS TANK BAG INSTALLATION INSTRUCTIONS

1. Disconnect the rear attachment strap from the bag. Remove the seat from the motorcycle and install the strap by passing it around the frame and through the loop in the end of the strap. (See Fig. 1)
2. Reinstall the seat, making sure the rear attachment strap buckle is exposed after the seat is properly positioned.
3. Disconnect the front attachment strap from the bag and unthread one end of the safety strap. (See Fig. 2)
4. Pass the front attachment strap around the front head tube of the motorcycle, making sure it does not interfere with any of the control cables. Thread the attachment strap back through the loop in the safety strap. (See Fig. 1)
5. Place the tank bag on the gas tank and connect the two front and one rear attachment buckles. Adjust the front attachment strap buckles so the bag sits squarely on the gas tank and does not interfere with any controls or the rider.
6. Adjust the bungee cord tension by pulling forward on the adjustment straps located inside the bag under the bottom flap. Check that the bag is secure before operating the motorcycle. (See Fig. 2)

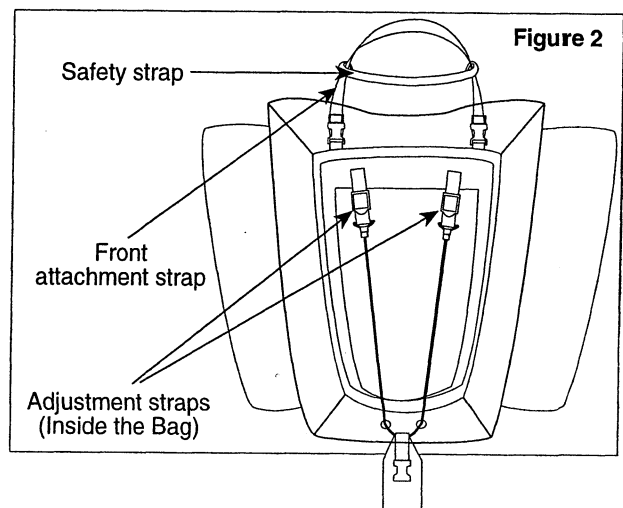
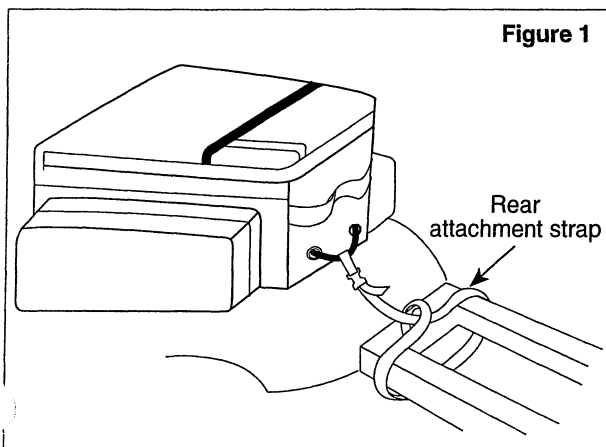
Caution:

Do not carry heavy or sharp objects.

Do not exceed maximum weight load of 2 lbs. (Manufacturer does not accept liability due to excessive weight load or failure to fasten accessory bag securely.)

WARRANTY INFORMATION

Your new Kawasaki accessory is guaranteed to be free from defects in material and workmanship for one year from date of purchase.



ISK99994338A/R0

9-1-99

ACCESSORIES